

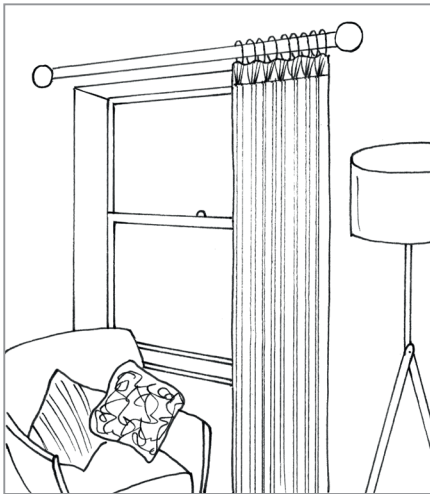
How to measure for curtains

Use a metal tape measure for accuracy. Measurements should be in cm to the nearest 0.5cm. Double check your measurements.

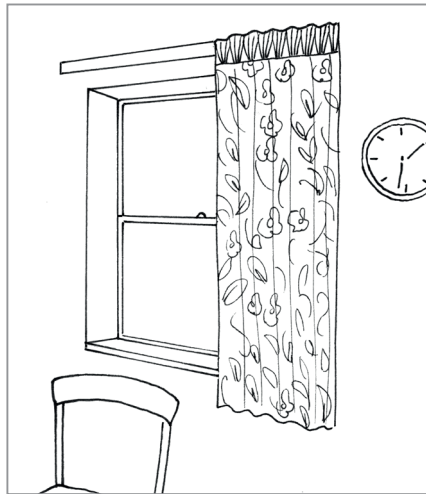
	Window name	Width ^(W)	Drop ^(D)
Dimensions		cm	cm

1 Choose your curtain type

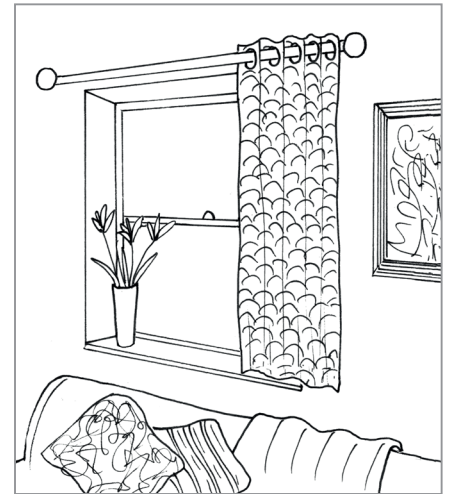
Your track or pole must be in place for accurate measurements.



A - Pleated heading on a pole



B - Pleated heading on a track



C - Eyelet heading on a pole

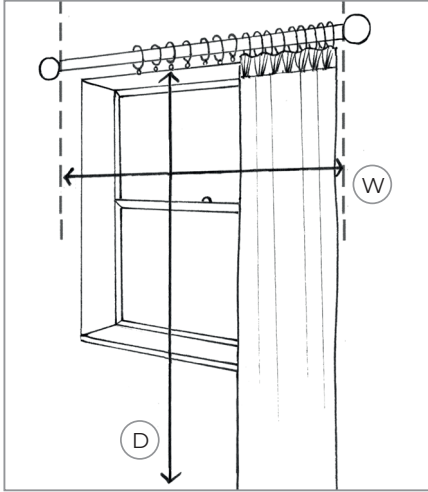
2 Choose your curtain length

Before you measure, follow our suggestions for the perfect length curtains:

Curtain length	Sill length	Below sill	Floor length
Measure	to sill - 1cm	to sill + 15cm	to floor + 1cm

*For uneven floors: measure the drop in 3 places and choose the longest measurement.

3 Get measuring!

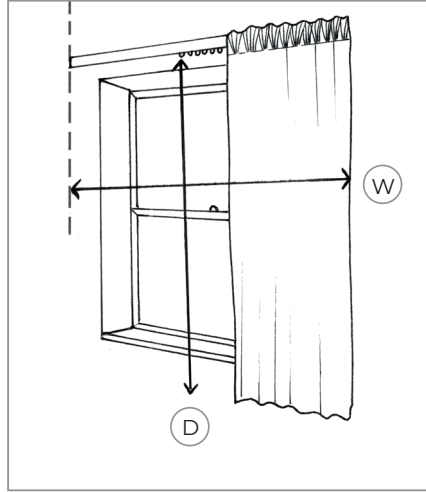


A - Pleated heading on a pole

(W) Width of pole between finials.

(D) Drop from the pole eyelets to your finished length.

N.B. We will add 2cm of fabric above your hooks for the heading height.

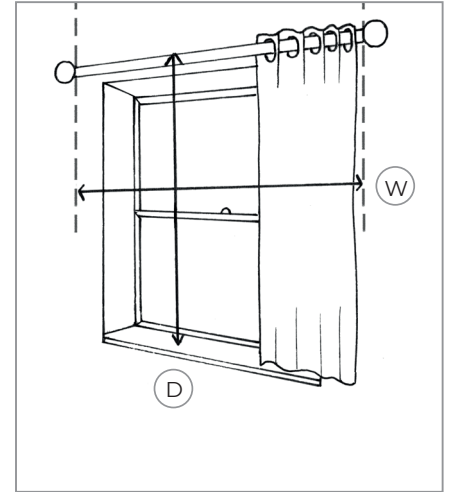


B - Pleated heading on a track

(W) Width of the entire track.

(D) Drop from the track eyelets to your finished length.

N.B. We will add 3cm of fabric above your hooks for the heading height (or 1cm if your track is ceiling fixed).



C - Eyelet heading on a pole

(W) Width of pole between finials.

(D) Drop from the top of the pole to your finished length.

Order online or call 0800 121 6370