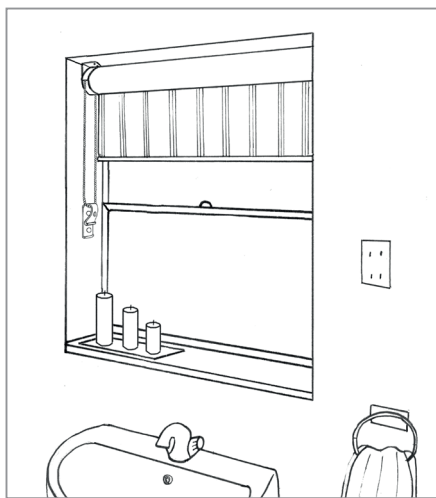


How to measure for roller blinds

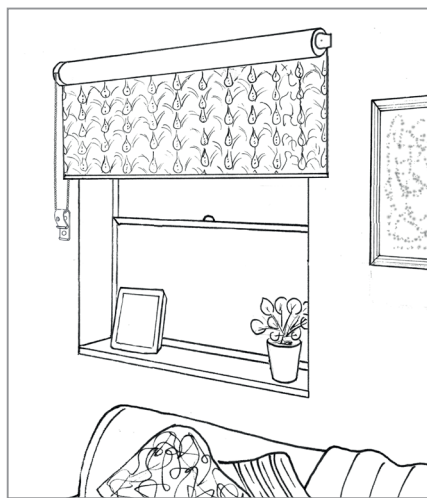
Use a metal tape measure for accuracy. Measurements should be in cm to the nearest 0.5cm. Double check your measurements.

Window name		Width (W)	Drop (D)	Installation height	
Dimensions		cm	cm		cm
Control	Left / Right				

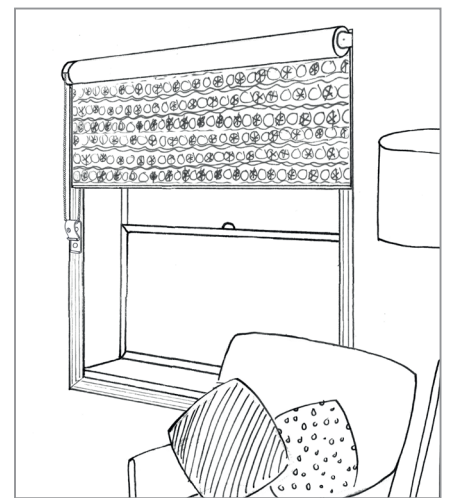
1 Where do you want to hang your blind?



A - Inside recess

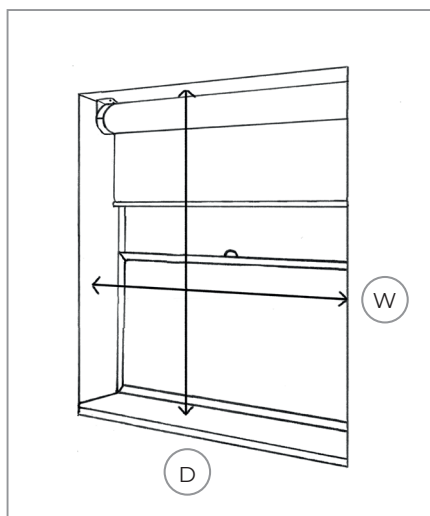


B - Outside recess



C - Fixed to wooden window architrave

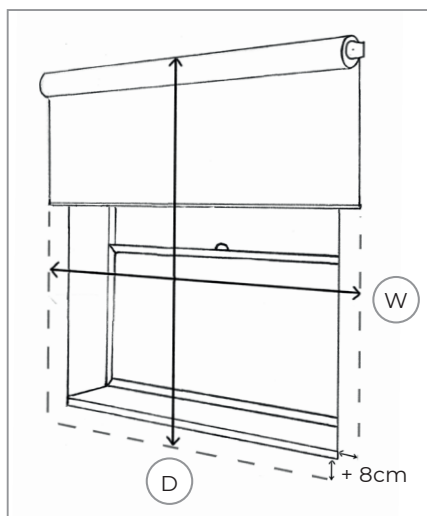
2 Measure your window



A - Inside recess

The recess must be a minimum of 6cm deep otherwise there will not be enough space to fit the blind brackets.

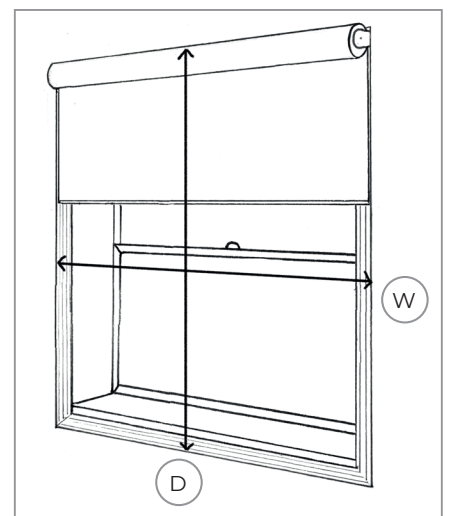
Measure the width at the narrowest point to ensure that the blind can move up and down freely.



B - Outside recess

We recommend at least 8cm overlap outside the frame, particularly if you have a blackout blind and are concerned about light leakage.

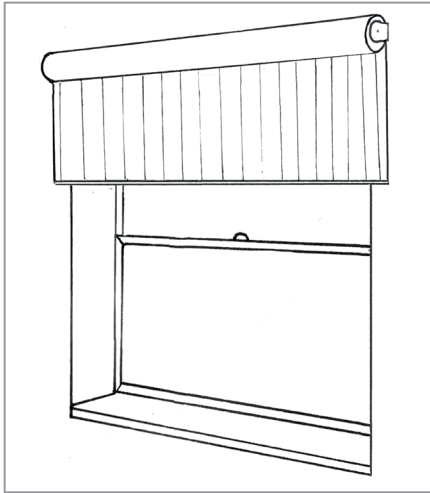
Check for any obstructions that might stop your blind hanging freely.



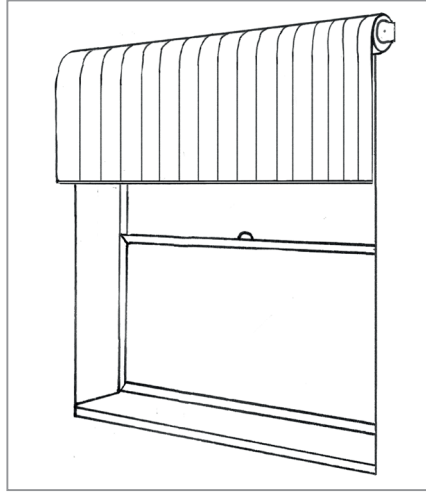
C - Fixed to wooden window architrave

Check for any obstructions that might stop your blind hanging freely.

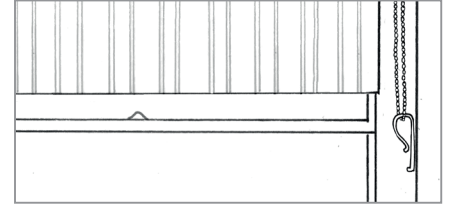
3 Standard or reverse roll? Which side would you like your chain?



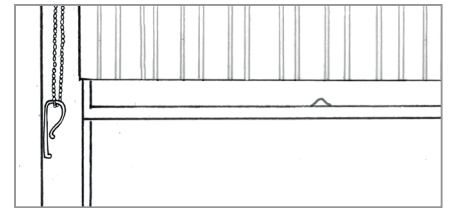
Standard roll



Reverse roll



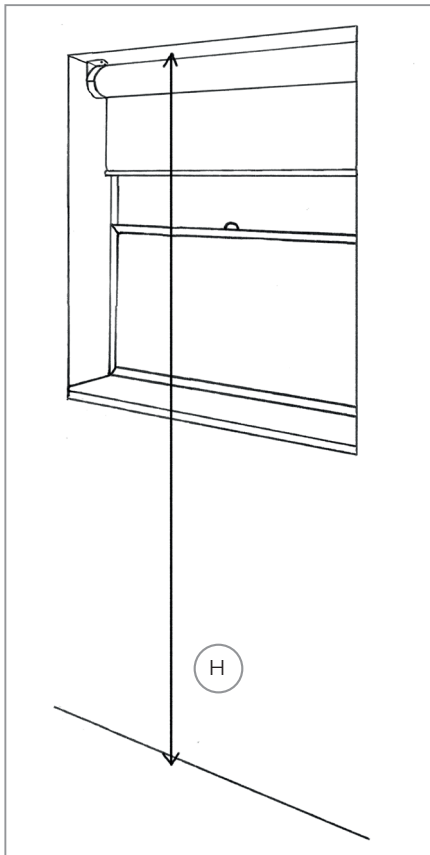
Right side



Left side

4 Installation height

To comply with child safety legislation we require your installation height (H) to ensure your chain is a safe distance (at least 1.5cm) from the floor.



MAKE IT SAFE!
Read the child safety leaflet included with this product to ensure your blind is safely installed

Order online or call 0800 121 6370